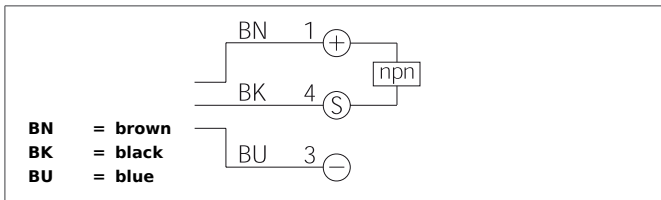


OTV 50 M 1200 N3K-TSSL

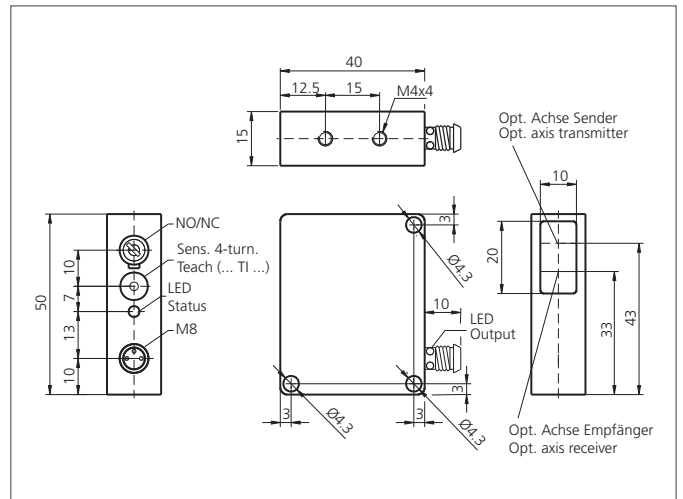
Diffuse Sensor

- Infrared light
- 4-turn potentiometer
- Bright LED, Connector M8 with ring LED
- Dark-/light switching, push-pull
- Functional reserve indicator/contamination indicator
- Robust metal casing



Safety instructions

The Instruments are not to be used for safety applications, in particular applications in which safety of persons depends on proper operation of the instruments.
 These instruments shall exclusively be used by qualified personnel.



TECHNICAL INFORMATION (typ.)		+20°C, 24V DC
Operating principle		Diffuse reflective sensor
Evaluation		digital
Size		50 x 40 x 15 mm (Dimensions)
Design		cuboid design
Emitted light		Infrared, 880 nm, clocked
Service voltage		10 ... 35 V DC
Internal power consumption		< 45 mA
background suppression		no
Operating distance		50 ... 1.200 mm
Sensitivity adjustment		potentiometer
Switching output		npn, 200 mA, NO/NC, switchable
Switching hysteresis		< 12 %
Voltage drop		< 2,0 V
Switching frequency		1.000 Hz
Reproducibility		< 1 %
Ambient temperature		-10 ... +60 °C
Ambient light immunity		10 kLx
Insulation voltage endurance		500 V
Protection class		IP 67
Protection degree		III, operation on protective low voltage
Casing material		Die-cast zinc black lacquered finish
Material		polycarbonate (Window)
Connection		Connector, M8, 3-poled